

OEP-GM6-R Door Exit Button

Overview

OEP-GM6-R door exit button is a common accessory in the access control system. It is suitable for access control scenarios in finance, telecom, supermarket, hotel, government, school, airport, factory, public security, justice, safe city, etc.



Features

- Elegant appearance.
- 86mm junction box installation, easy to install.
- 500,000 fatigue tests, reliable and durable.

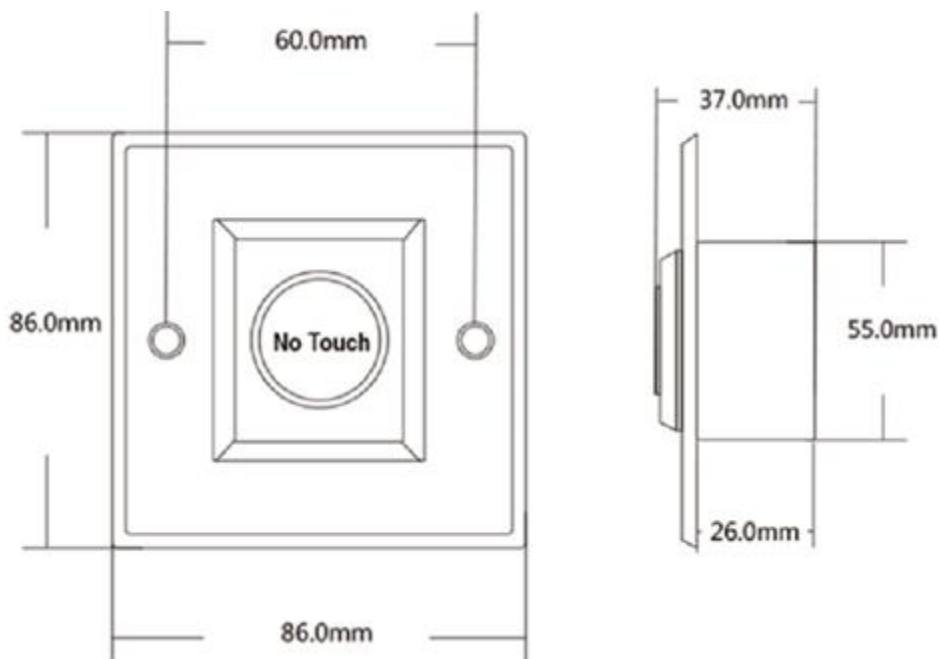
Ordering Information

Model	Name
OEP-GM6-R	Door Exit Button

Specifications

Parameter	Description
Material	Stainless steel
Dimensions	86*86*37mm
Operating voltage	DC12V
Operating environment	Operating temperature: -30°C to +60°C, operating humidity: ≤95%
Weight	0.3kg
Sensing range	5-10cm
Attestation	CE/FCC/ROHS

Dimensions



Zhejiang Uniview Technologies Co., Ltd.

Building No.10, Wanlun Science Park, Jiangling Road 88, Binjiang District, Hangzhou, Zhejiang, China

Email: overseasbusiness@uniview.com; globalsupport@uniview.com

<http://www.uniview.com>

©2022 Zhejiang Uniview Technologies Co., Ltd. All rights reserved.

* Product specifications and availability are subject to change without notice.